

Dynaco

Your Source for Hydraulic Pump & Parts



Mobile Hydraulic Pumps T6DCM, T6DCP, T6DCMW

Denison Vane Technology, fixed displacement

Dynaco Hydraulic Co., Ltd.
Email: info@dynacohydraulic.com
Web: www.dynacohydraulic.com

ENGINEERING YOUR SUCCESS.

We are doing our parts to keep you moving!

Ordering Code

Model No.

T6DC* W - B38 - B22 - 1 R 00 - C 1

Series M = Mobile 1 shaft seal
Series P = Mobile 2 shaft seals
Use for severe duty shaft only*

Cam ring for "P1"

(Delivery at 0 bar & 1500 r.p.m.)

B14 = 71,4 l/min	B35 = 166,5 l/min
B17 = 87,3 l/min	B38 = 180,4 l/min
B20 = 99,0 l/min	B42 = 204,0 l/min
B24 = 119,3 l/min	B45 = 218,5 l/min
B28 = 134,5 l/min	B50 = 237,0 l/min
B31 = 147,4 l/min	

Cam ring for "P2"

(Delivery at 0 bar & 1500 r.p.m.)

B03 = 16,2 l/min	B17 = 87,4 l/min
B05 = 25,8 l/min	B20 = 95,7 l/min
B06 = 31,9 l/min	B22 = 105,4 l/min
B08 = 39,6 l/min	B25 = 118,9 l/min
B10 = 51,1 l/min	B28 = 133,2 l/min
B12 = 55,6 l/min	B31 = 150,0 l/min
B14 = 69,0 l/min	

Modification

Seal Class

- 1 = S1 (for mineral oil)
- 4 = S4 (for the resistant fluids)
- 5 = S5 (for mineral oil and fire resistant fluids)

Design letter

Porting combination (see page 34)

00 = standard

Direct. of rotation (view on shaft end)

- R = clockwise
- L = counter-clockwise

Type of shaft

- P version
- 3 = splined (no SAE)

Type of shaft

M version

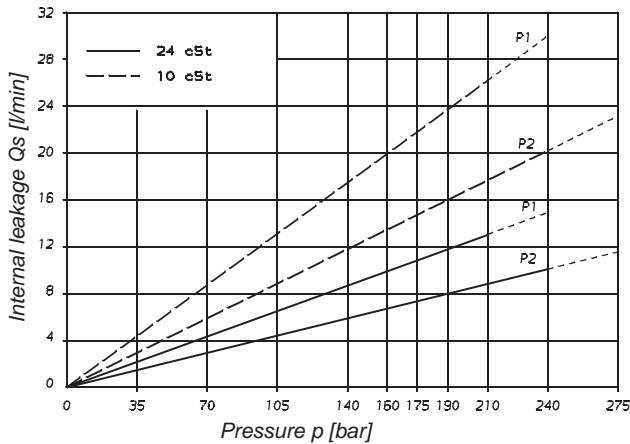
- 1 = keyed (SAE C)
- 2 = keyed (no SAE)
- 3 = splined (SAE C)
- 4 = splined (no SAE)

MW severe duty

*5 = keyed (no SAE)

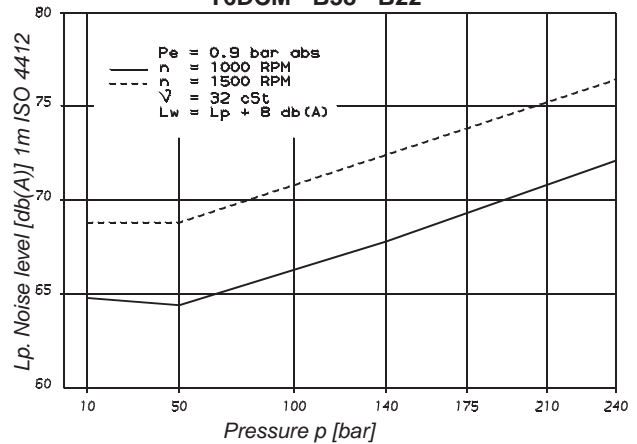
*T = splined (SAE J718c)

INTERNAL LEAKAGE (TYPICAL)



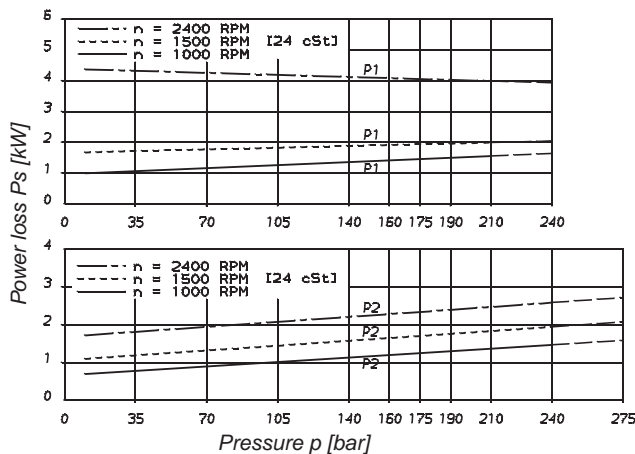
Do not operate the pump more than 5 seconds at any speed or viscosity if internal leakage is more than 50 % of theoretical flow. Total leakage is the sum of each section loss at its operating conditions.

NOISE LEVEL (TYPICAL)
T6DCM - B38 - B22



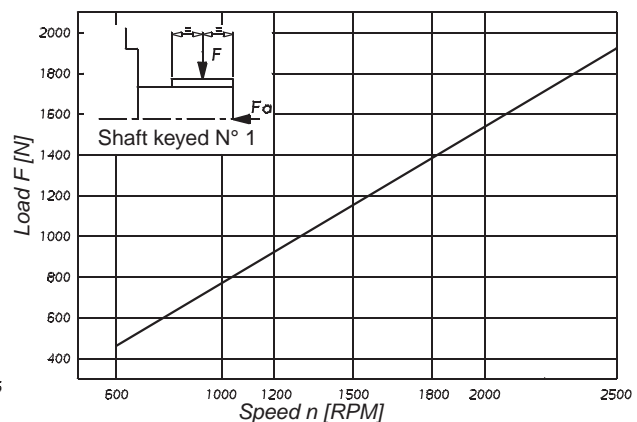
Double pump noise level is given with each section discharging at the pressure noted on the curve.

POWER LOSS HYDROMECHANICAL (TYPICAL)

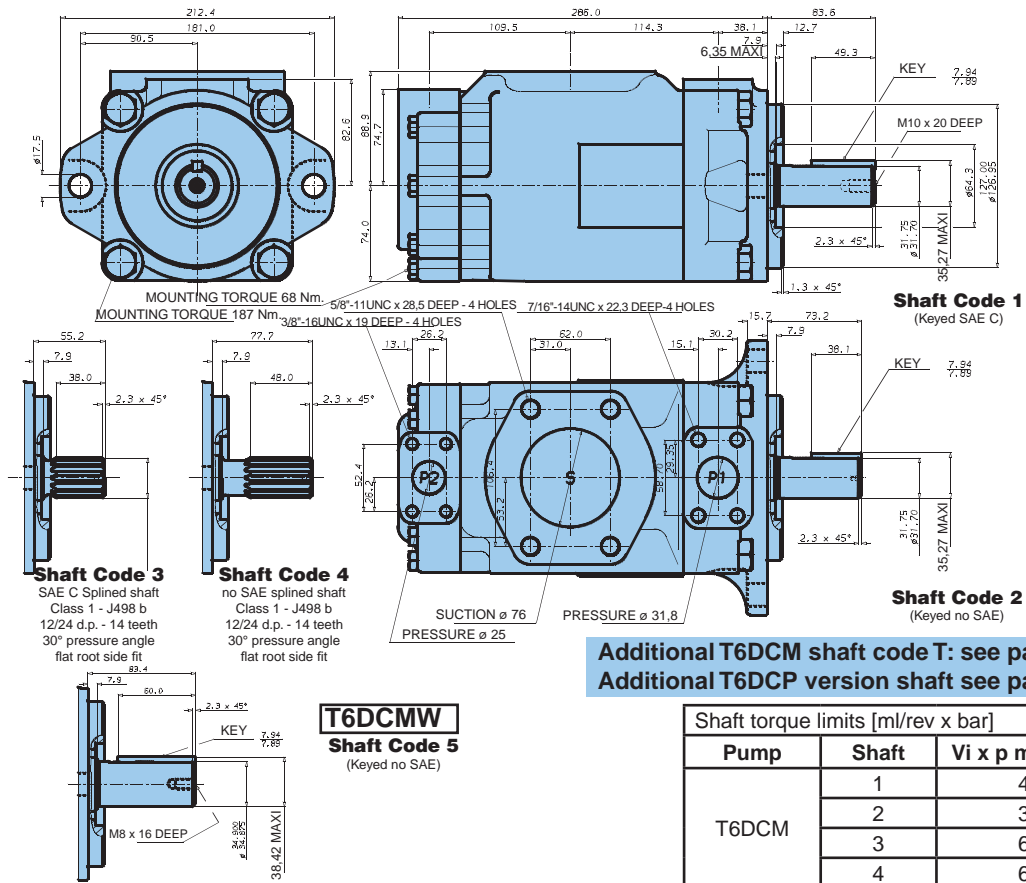


Total hydrodynamic power loss is the sum of each section at its operating conditions.

PERMISSIBLE RADIAL LOAD



Maximum permissible axial load Fa = 1200 N



OPERATING CHARACTERISTICS - TYPICAL [24 cSt]

Pressure port	Series	Volumetric Displacement Vi	Flow Q [l/min] & n = 1500 RPM			Input power P [kW] & n = 1500 RPM		
			p = 0 bar	p = 140 bar	p = 240 bar	p = 7 bar	p = 140 bar	p = 240 bar
P1	B14	47,6 ml/rev	71,4	62,1	55,9	2,3	18,5	30,6
	B17	58,2 ml/rev	87,3	78,0	71,8	2,5	22,2	37,0
	B20	66,0 ml/rev	99,0	89,7	83,5	2,8	24,9	41,7
	B24	79,5 ml/rev	119,3	110,0	103,8	3,0	29,6	49,8
	B28	89,7 ml/rev	134,5	125,2	119,0	3,2	33,2	55,9
	B31	98,3 ml/rev	147,4	138,1	131,9	3,3	36,2	61,0
	B35	111,0 ml/rev	166,5	157,2	151,0	3,5	40,7	68,7
	B38	120,3 ml/rev	180,4	171,1	164,9	3,7	43,9	74,3
	B42 ²⁾	136,0 ml/rev	204,0	194,7	188,5	4,0	49,4	83,7
	B45 ²⁾	145,7 ml/rev	218,5	209,2	203,0	4,1	52,8	89,5
B50 ²⁾	158,0 ml/rev	237,0	227,7	224,0 ¹⁾	4,4	57,0	85,0 ¹⁾	
P2	B03	10,8 ml/rev	16,2	10,7	-	1,3	5,3	-
	B05	17,2 ml/rev	25,8	20,3	15,8	1,4	7,5	12,2
	B06	21,3 ml/rev	31,9	26,5	22,0	1,5	8,9	14,7
	B08	26,4 ml/rev	39,6	34,1	29,6	1,6	10,7	17,7
	B10	34,1 ml/rev	51,1	45,7	41,2	1,7	13,4	22,3
	B12	37,1 ml/rev	55,6	50,2	45,7	1,7	14,4	24,1
	B14	46,0 ml/rev	69,0	63,5	59,0	1,9	17,6	29,5
	B17	58,3 ml/rev	87,4	82,0	77,5	2,1	21,9	36,9
	B20	63,8 ml/rev	95,7	90,2	85,7	2,2	23,8	40,2
	B22	70,3 ml/rev	105,4	100,0	95,5	2,3	26,1	44,1
	B25	79,3 ml/rev	118,9	113,5	109,0	2,5	29,2	49,5
	B28	88,8 ml/rev	133,2	127,7	124,5 ¹⁾	2,8	32,7	48,5 ¹⁾
	B31	100,0 ml/rev	150,0	144,5	141,3 ¹⁾	2,8	36,5	54,4 ¹⁾

¹⁾ B28 - B31 - B50 = 210 bar max. int. ²⁾ B42 - B45 - B50 = 2200 R.P.M. max

- Not to use because internal leakage greater than 50% theoretical flow

Port connection can be furnished with metric threads.



ANY PART TIME WHERE

we are doing our parts to keep you moving!